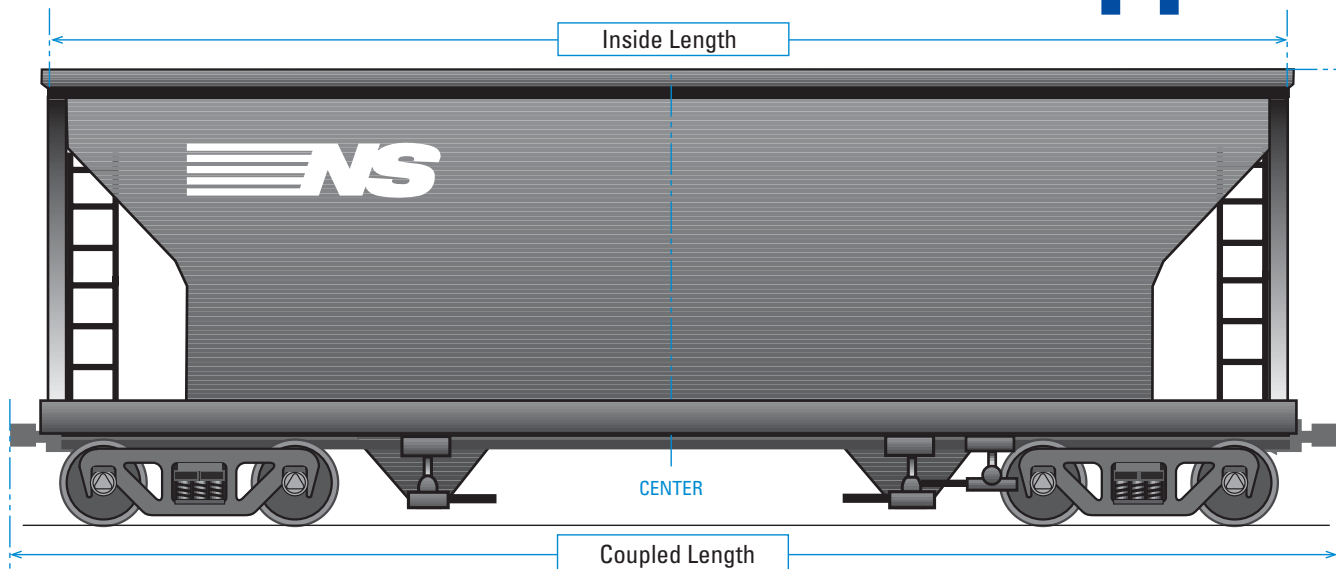


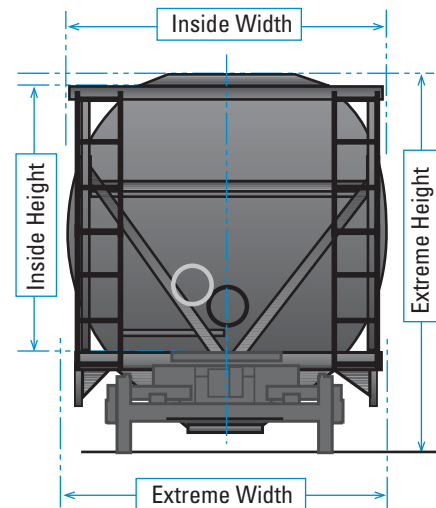
Small-Cube Covered Hopper



DESCRIPTIONS

Small-Cube Covered Hopper Ranges

Load Limits	157,900 to 218,000 lbs
Cubic Capacities	2,010 to 3,300 ft ³
Coupled Lengths	37' 9" to 49' 7"
Outside Widths	10' 3" to 10' 8"
Gate Configuration.....	Gravity
Gate Dimensions.....	.13 in. x 24 in., 24 in. x 29.9 in., 13 in. x 3' 6"
Hatch Types	Round, trough
Number of Hatches	(round) 3 to 10
Car Material	Steel, aluminum
Major Commodities	Cement, gravel, aggregates



Actual dimensions may vary.