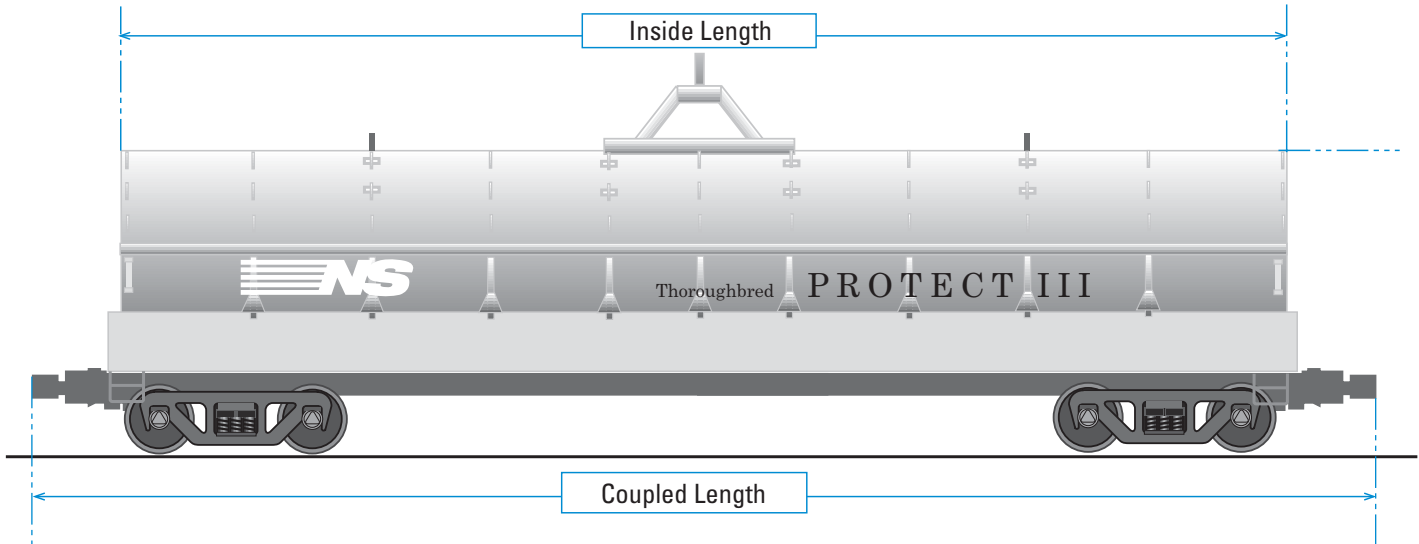


Covered Coil Car

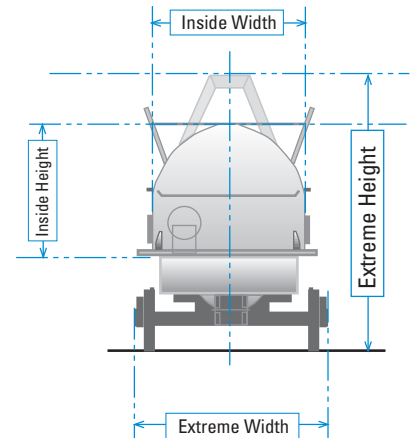
Protect III/CoilShield II



DESCRIPTIONS

Coil Car Ranges

Average Load Limits.....	190,000 to 224,000 lbs
Coil Sizes	30" to 84" max outside diameter
Extreme Heights	Up to 14' 8"
Extreme Width.....	10' 8"
Coupled Length	Up to 52' 1"
Covers	Removable cover(s)
Troughs/Cradles	Single and double
Underframes	Cushioned
Special Features	Insulation, crossbars, wood-lined cradles
Major Commodities	Steel and aluminum sheet in coils



Actual dimensions may vary.