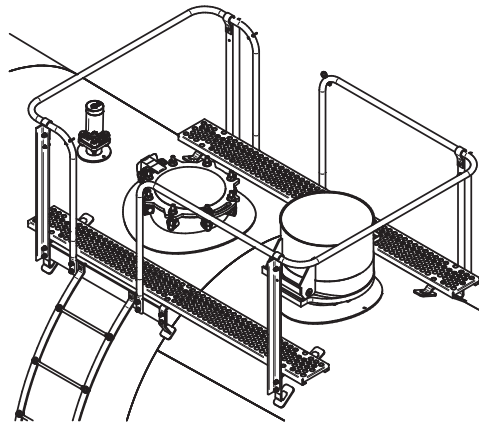
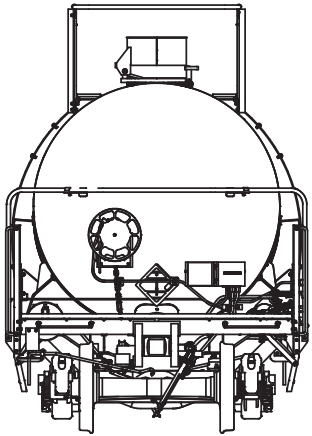
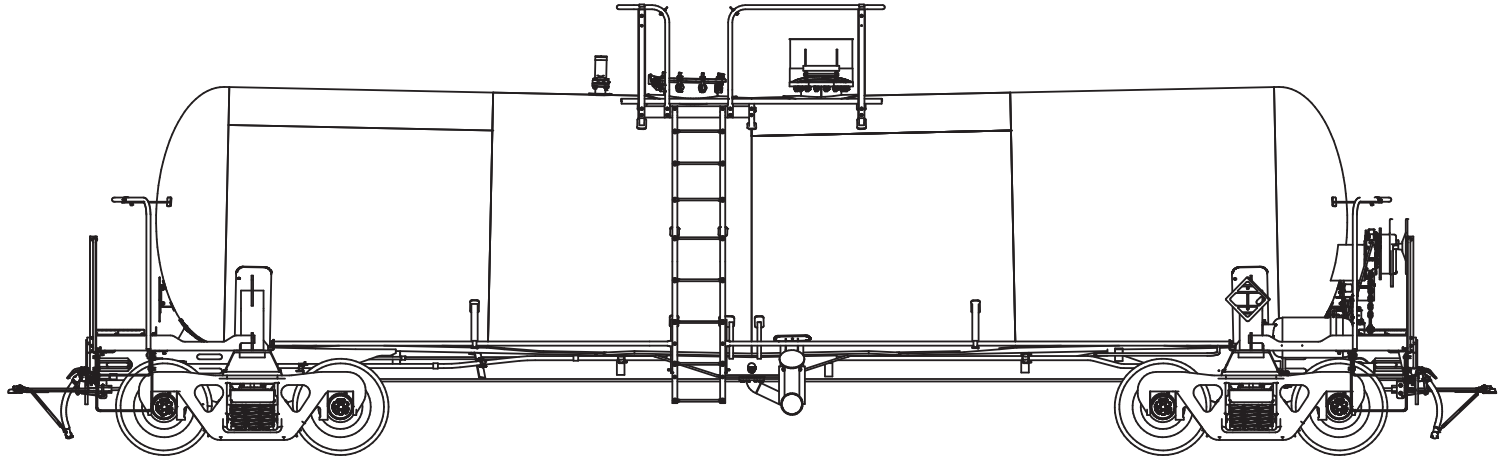


15,700 GALLON PHOSPHORIC ACID TANK CAR



15,700 GALLON PHOSPHORIC ACID TANK CAR

This 15,700 gallon (US) tank car is built to 286,000 lb gross rail load for the transportation of phosphoric acid and other like commodities. The car is equipped with a 20-inch, eight (8) bolt manway, and a 165 psi pressure relief valve. Top fittings consisting of 2- and 3-inch valves and a vacuum relief valve to accommodate closed system loading and unloading. The bottom outlet is a 4-inch SST outlet valve. For purified phosphoric acid, the tank is equipped with heating coils and insulation.

Various options for loading/unloading valve configurations are available depending on the service requirements.

DIMENSIONS (APPROX.)

GALLON CAPACITY	15,756 GALLONS
LENGTH OVER PULLING FACES	46' 7"
LENGTH BETWEEN TRUCK CENTERS	33' 0.5"
HEIGHT, EXTREME	15' 1"
SLOPE, TANK	1/4" PER FOOT
WIDTH, EXTREME	10' 10"
TANK, OUTSIDE DIAMETER	8' 7"
TANK, LENGTH	39' 5"
CLEARANCE	AAR PLATE B

WEIGHT/CAPACITY (EST.)

LIGHT WEIGHT	57,269 LBS
GROS RAIL LOAD	286,000 LBS
LOAD LIMIT	228,730 LBS
NOMINAL CAPACITY	15,756 GALLONS

CURVE NEGOTIABILITY RADIUS

CURVE RADIUS UNCOUPLED	150'
CURVE RADIUS COUPLED TO LIKE CAR	162'
CURVE RADIUS COUPLED TO BASE CAR	162'

DESIGNED AND BUILT TO AAR SPECIFICATION FOR M-1002; DOT SPECIFICATION: DOT 111A100W1

THESE GENERAL DIMENSIONS ARE REPRESENTATIVE AND SUBJECT TO CHANGE WITHOUT NOTICE AS REQUIRED BY CUSTOMER SPECIFICATIONS OR DESIGN IMPROVEMENTS BY THE GREENBRIER COS